

ON/OFF valves
 Series VPOO-E
 General service valve 2 way

Technical data

Size (DN)	DN 15 — 100
Pressure rating	PN16, PN40
Connections	Flanges UNI/DIN PN16
Type sealing	Soft (Class VI)
Characteristic	Equalpercentage (eqp%)
Action	Pneumatic with piston (supply max 8 bar)
Temperature	from -5 to +205 °C

Description

The Series VPOO-E on/off valve is a general service valve with a body made from nodular cast iron. The precise machined plug and seat give an excellent control performance. With the standard high quality PTFE/CG or PEEK plug insert the valve reaches a Class VI bubble tight shut off. The Series VPOO-E on/off valve is the best choice for a simple and reliable globe valve. Series VPOO-E valves can be used for liquid and gasses up to 16 bar and steam up to 12 bar. All Burocco valves are delivered after testing and calibration and ready for a long utilize, without maintenance.

Options

- ⇒ Plug sealing HPP PEEK
- ⇒ Characteristic on/off
- ⇒ High temperature packing
- ⇒ Seals actuator FPM
- ⇒ Handwheel for emergency operation
- ⇒ Valve positioners
- ⇒ Limit switches
- ⇒ Airset



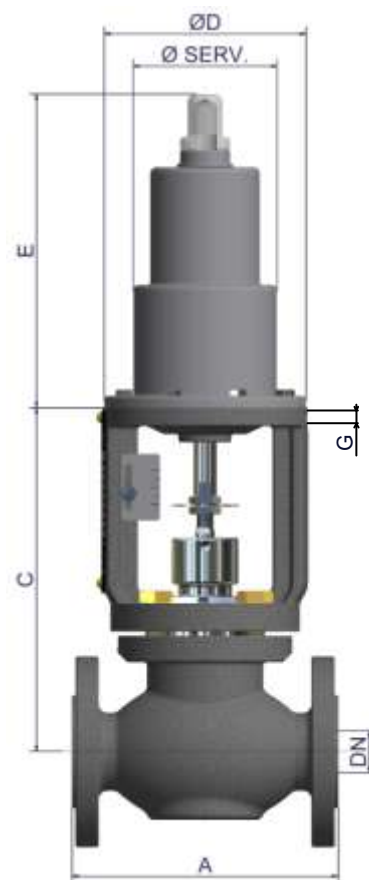
Flow rate coefficient (CV)

DN	CV	KVs
15	4	3,5
20	7	6
25	12	10
32	18	15,5
40	28	24
50	48	41
65	72	61,5
80	105	90
100	160	136

ON/OFF valves
Series VPOO-E
General service valve 2 way

BUROCCO
INDUSTRIAL VALVES srl

Materials	
Valve body	Nodular cast iron GGG 40 (PN16) Carbon steel 1.0619 Stainless steel ASTM CF8M
Trim (plug - seat)	316L + PTFE-CG or PEEK plug insert
Stem	316L
Packing	PTFE, PTFE+'OR' FPM, special
Body gasket	FASIT 400, SIL C4500, PTFE
Acuator	Stainless steel
Yoke	GGG 40 (epoxy varnish)



Standard dimensions (mm)						
DN	A	C	E	Ø D	Ø Serv.	G
15	130	210	190	122	82	1/8" G
20	150	210	190	122	82	
25	160	210	190	122	82	
32	180	210 / 228	190 / 206	122 / 165	82 / 118	1/8" G / 1/8" G
40	200	210 / 228	190 / 206	122 / 165	82 / 118	
50	230	210 / 228	190 / 206	122 / 165	82 / 118	
65	290	295	216 / 242	165 / 185	118 / 136	1/4" G
80	310	295	216 / 242	165 / 185	118 / 136	
100	350	318 / 335	242 / 292	185 / 215	136 / 153	

Standard weight*									
DN	15	20	25	32	40	50	65	80	100
kg	10,5	11	11,5	13,5 / 19,5	14 / 20	21 / 27	36 / 40	40 / 44	55 / 61

* without positioner, airset or other accessories