

Dosing valves

Series VD type " M " - MEDIUM

PNEUMATIC

BUROCCO

INDUSTRIAL VALVES srl

BUROCCO INDUSTRIAL VALVES srl VIA NOVEIS, 33 - 13867 PRAY (BI) - ITALY

info@burocco.it — www.burocco.it

Tel.: +39 015 76.72.78 — Fax: +39 015 76.71.36

Technical data

Rating	PN 16
Connections	Female threaded GAS (FF) - ISO 228 Male threaded GAS (FM) - ISO 228 Hose nipple (PG)
Actuator	Pneumatic with piston - SIMPLE EFFECT - anodized alloy aluminium
Supply Temperature	min 6 / max 10 bar from +10 to +100 °C

Description

The dosing valves serie VD have been studied and developed to intercept and dose different liquid products (varnishes, solvents, dyes and inks). They can be employed in different fields as textile dyeing and finishing plants, printing, general industrial plants. All Burocco valves are delivered after testing and calibration and ready for a long utilize, without maintenance.



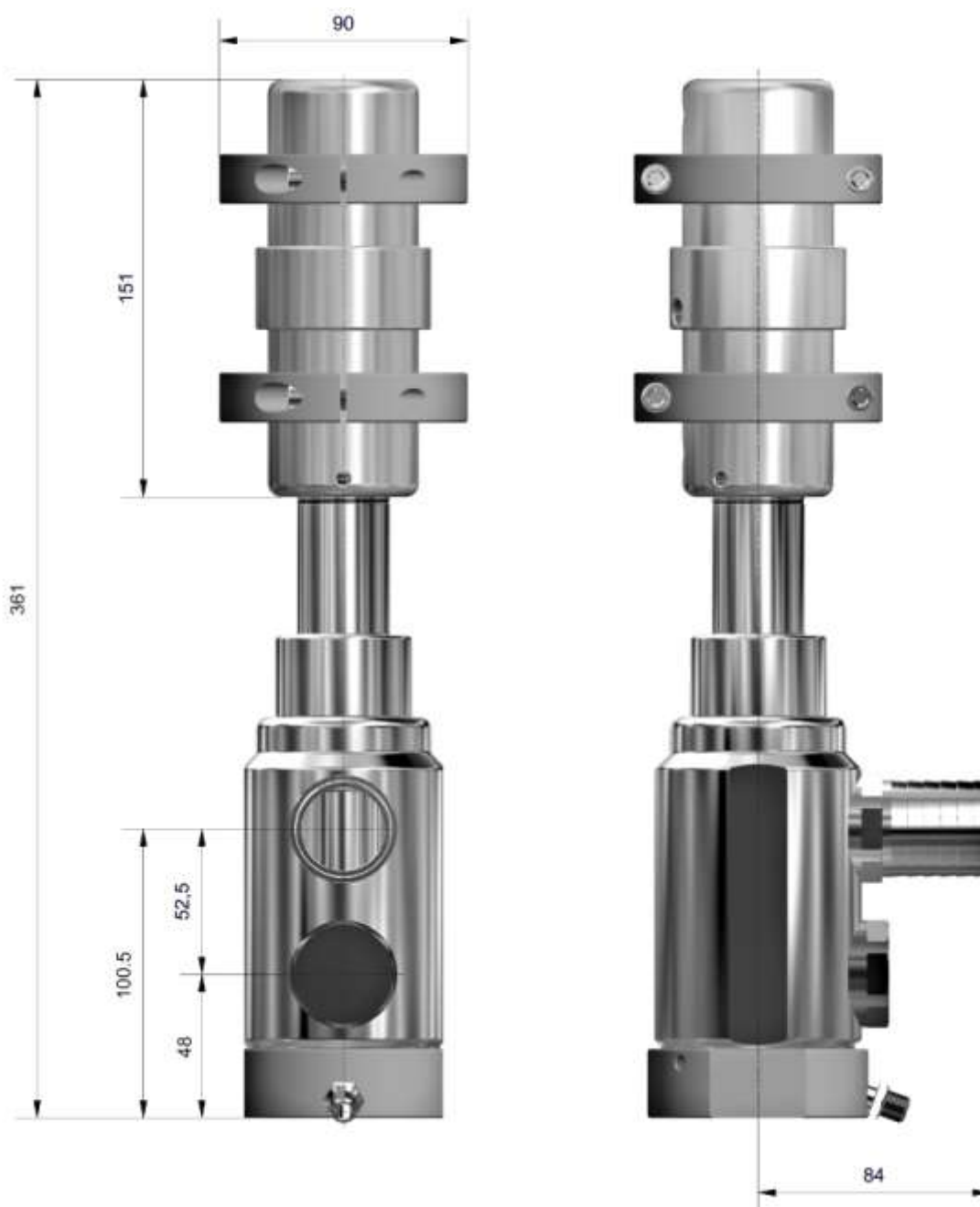
Ø Tip	Kvs m ³ /h	Ø Plug	Kvs m ³ /h
0,5 mm	0,003	2,0 mm	0,1
1,6 mm	0,06	7,5 mm	1,5
2,0 mm	0,1	12,0 mm	3,6
4,0 mm	0,3	18,0 mm conical	7
4,0 mm	0,3	22,0 mm	12

Stroke	
Tip	9,0 mm
Plug	19,0 mm

Dosing valves
Series VD type " M " - MEDIUM
PNEUMATIC

BUROCCO
INDUSTRIAL VALVES srl

Materials	
Valve body	AISI 316/316L
Tip / plug	AISI 316/316L
Stem	AISI 316/316L
Packing	Standard PTFE ring energized with O-ring FPM
Bushing	PTFE
Body gasket	PTFE
Weight	Kg. 4,0



Burocco reserves the right to make improvements without prior notice 04/14