

Pneumatic and manual ball valve CLAMP

Series CHO

BUROCCO
INDUSTRIAL VALVES srl

Technical data

Size (DN)	DN 65 - 100 - 125
Rating	PN 16
Connection	CLAMP DIN 32676 - DN 65 - 125 CLAMP BS 4825 - DN 100
Actuator	- Pneumatic rotating 90° - DOUBLE EFFECT - anodized alloy aluminium - Manual lever
Supply	min 6 / max 10 bar
Temperature	+10 to +100 °C

Description

The ball valves serie CHO have been studied and developed mainly for food (chocolate cream).

Suitable for installation in plants with "PIG CLEAN" system for inside cleaning.

Extension rod made for valve insertion in tubes containing insulation for heating.

Options

- ⇒ Possibility to transform model with manual lever (VSL) to model with pneumatic actuator (VSP) and viceversa very quickly and with no difficulty
- ⇒ Possibility to mount the BOX MICRO
- ⇒ Solenoid



BOX
Manual Action



BOX
Pneumatic Action



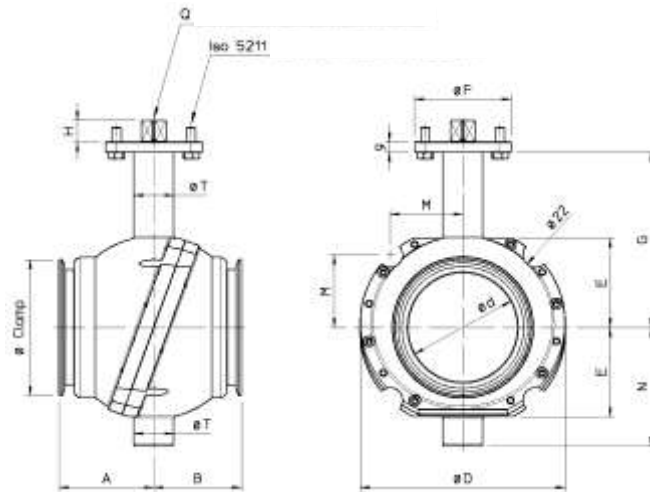
Pneumatic and manual ball valve CLAMP

BUROCCO

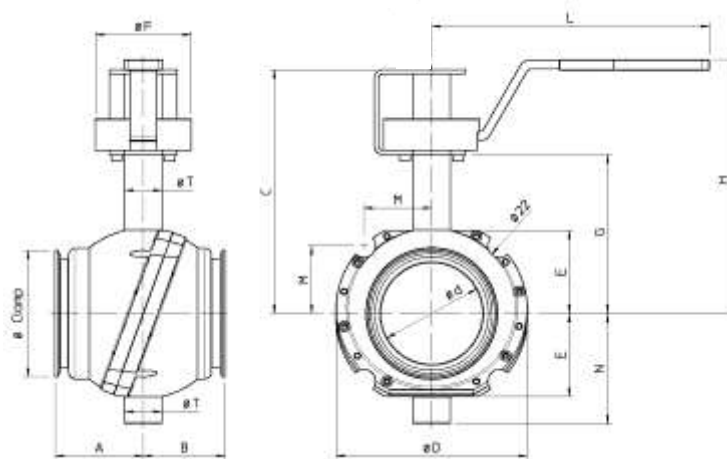
INDUSTRIAL VALVES srl

Series CHO

Materials			
Body	AISI 304/304L	Ball	AISI 316/316L
Seat	PTFE	Stem	AISI 316/316L
O-ring	FPM	Connection	AISI 304/304L



Dimensions (mm)														
DN - actuator	Ø d	Ø Clamp	A	B	Ø D	E	Ø F	G	H	Iso 5211	Q	M	N	T
65 - 75/90	66	91	75	75	135	55	60	135	14	F05	14	41	79	31
100 - 92/90	96	119	100	100	180	78	85	153	19	F07	17	56	104	35
125 - 127/90	124	155	125	105	225	98	85	174	24	F07	22	71	135	45



Dimensions (mm)														
DN	Ø d	Ø Clamp	A	B	C	Ø D	E	Ø F	G	H	L	M	N	T
65	66	91	75	75	211	135	55	65	131	200	220	41	79	31
100	96	119	100	100	230	180	78	90	150	238	260	56	104	35
125	124	155	125	105	251	225	98	90	171	260	300	71	135	45