

Pneumatic ball valves ON-OFF

Series VSP/3V - CS+FF

MANIFOLD

BUROCCO
INDUSTRIAL VALVES srl

Technical data

Size (DN)	DN 25
Rating	PN 40
Connections	Clamp for manifold + 3° way female threaded 1" GAS - ISO 228
Actuator	Pneumatic rotating 90° - DOUBLE EFFECTCT - anodized alloy aluminium
Supply	min 6 / max 10 bar
Temperature	-25 to +120 °C

Description

Ball valves made for intercepting water, colors and chemical products.

Designed to be mounted on the manifold, are used mainly in textile dyeing and finishing plants.

Options

- ⇒ Mechanical limit switch / proximity microswitches box
- ⇒ Solenoid

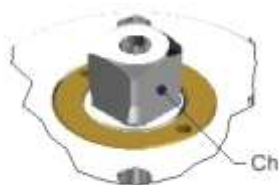
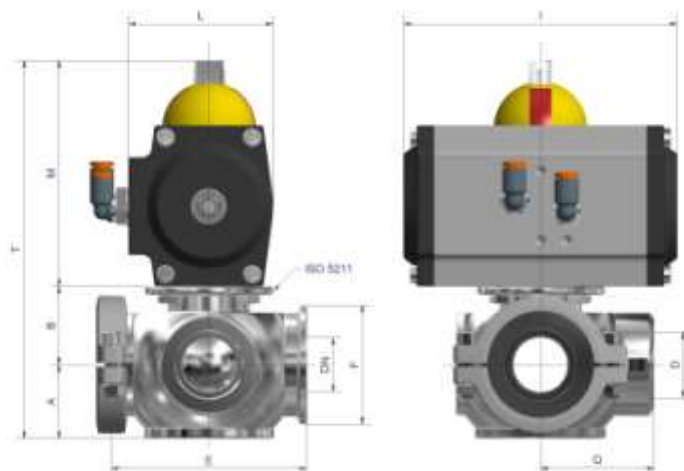


Pneumatic ball valves ON-OFF
Series VSP/3V - CS+FF

MANIFOLD

BUROCCO
INDUSTRIAL VALVES srl

Materials	
Valve body	AISI 316/316L
Seats	PTFE
O-rings	FPM
Ball	AISI 316/316L - drilling "T"
Stem	AISI 316/316L
Connections	AISI 316/316L



Dimensions (mm)													
DN - actuator	A	B	D	E	F	L	M	I	Q	T	ISO 5211	Ch	weight (Kg)*
25 - 52/90	34	35	1"	94	55	69	111	133	52	180	F05	14	2,9

* Actuator without accessories.