

# Pneumatic ball valves ON-OFF

## Series VSP/3V - CL

# BUROCCO

## INDUSTRIAL VALVES srl

### Technical data

Size (DN)	DN 10 - 40
Rating	PN 40 (10-25) - PN 25 (32-40)
Connections	Clamp (CL)
Actuator	Pneumatic rotating 90° - DOUBLE EFFETCT - anodized alloy aluminium
Supply	min 6 / max 10 bar
Temperature	-25 to +120 °C

### Description

The ball valves can intercept different type of fluid : steam, water, no-explosive gas, corrosive fluids, colors, chemical products, etc.

They can be employed in several sector as: textile dyeing and finishing plants, chemical plants, water-treating, alimentary, general industrial plants.

### Options

- ⇒ Pneumatic actuator SIMPLE EFFECT
- ⇒ **Ball drilling " T " or " L "**
- ⇒ PVC seal interspace ball / body ( max 80° C )
- ⇒ Connections for pressure washing interspace
- ⇒ Mechanical limit switch / proximity microswitches box
- ⇒ Pneumatic / electropneumatic positioner
- ⇒ Solenoid
- ⇒ Operated by MANUAL LEVER



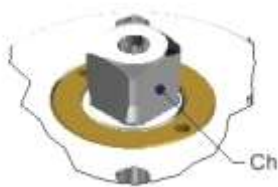
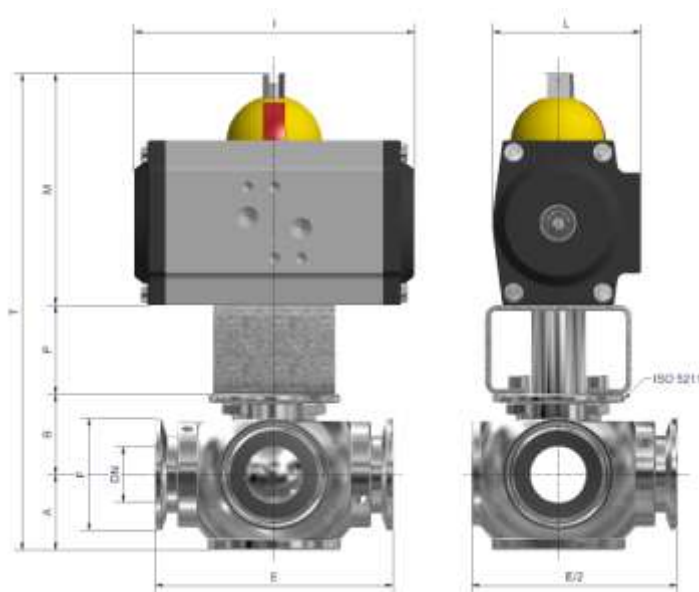
# Pneumatic ball valves ON-OFF

## Series VSP/3V - CL

# BUROCCO

## INDUSTRIAL VALVES srl

Materials	
Valve body	AISI 316/316L
Seats	PTFE (STD) - PTFE/CG - PTFE+GLASS - PEEK (max 180 °C)
O-rings	FPM
Ball	AISI 316/316L
Stem	AISI 316/316L
Connections	AISI 316/316L



### Dimensions (mm)

DN - actuator	A	B	E	Ø F	I	L	M	P	T	ISO 5211	Ch	weight (Kg) *
10 - 32/90 DE	22	30	74	34,5	110	48	62	40	154	F03	9	1,75
10 - 52/90 SE					133	69	105		2197			1,50
15 - 52/90 DE	28	30	86	34,5	133	69	105	50	213	F05	14	2,40
15 - 63/90 SE					137	80	119		227			2,95
20 - 52/90 DE	31	32,5	92	50,4	133	69	105	50	218,5	F05	14	2,85
20 - 63/90 SE					137	80	119		232,5			3,40
25 - 63/90 DE	34	35	107	50,4	137	80	119	50	238	F05	14	3,70
25 - 75/90 SE					161	93	131		250			4,35
32 - 63/90 DE	38	40	117	64	137	80	119	50	247	F05	14	4,25
32 - 83/90 SE					180	100	139		267			5,30
40 - 75/90 DE	45	53	142	64	161	93	131	50	279	F07	14	7,50
40 - 110/90 SE					221	120	171		319			10,60

DE = double effect

SE = simple effect

\* Actuator without accessories.