

# Pneumatic ball valves ON-OFF

## Series VSP/3V - FF

**BUROCCO**  
INDUSTRIAL VALVES srl

### Technical data

Size (DN)	DN 10 - 40
Rating	PN 40 (10-25) - PN 25 (32-40)
Connections	Female threaded GAS (FF) - ISO 228
Actuator	Pneumatic rotating 90° - DOUBLE EFFETCT - anodized alloy aluminium
Supply	min 6 / max 10 bar
Temperature	-25 to +120 °C

### Description

The ball valves can intercept different type of fluid : steam, water, no-explosive gas, corrosive fluids, colors, chemical products, etc.

They can be employed in several sector as: textile dyeing and finishing plants, chemical plants, water-treating, alimentary, general industrial plants.

### Options

- ⇒ Pneumatic actuator SIMPLE EFFECT
- ⇒ **Ball drilling " T " or " L "**
- ⇒ PVC seal interspace ball / body ( max 80° C )
- ⇒ Connections for pressure washing interspace
- ⇒ Mechanical limit switch / proximity microswitches box
- ⇒ Pneumatic / electropneumatic positioner
- ⇒ Solenoid
- ⇒ Operated by MANUAL LEVER



# Pneumatic ball valves ON-OFF

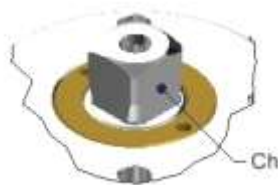
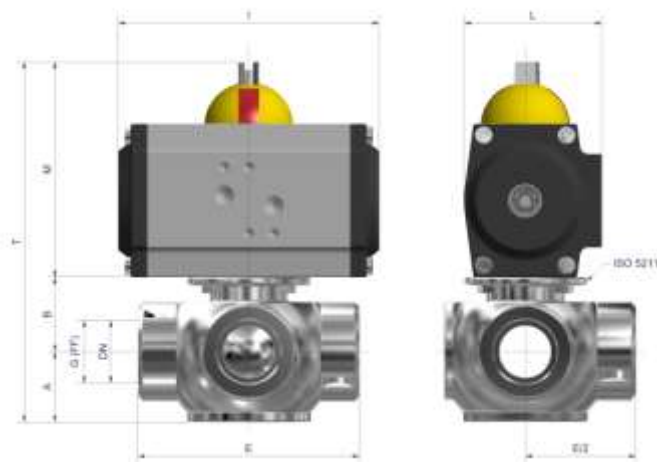
## Series VSP/3V - FF

# BUROCCO

## INDUSTRIAL VALVES srl

BUROCCO INDUSTRIAL VALVES srl VIA NOVEVIS, 33 - 13867 PRAY (BI) - ITALY

Materials	
Valve body	AISI 316/316L
Seats	PTFE (STD) - PTFE/CG - PTFE+GLASS - PEEK (max 180 °C)
O-rings	FPM
Ball	AISI 316/316L
Stem	AISI 316/316L
Connections	AISI 316/316L



Dimensions (mm)													
DN - actuator	A	B	E	G	I	L	M	T	ISO 5211	Ch	weight (Kg) *		
10 - 32/90 DE	22	30	68	3/8"	110	48	62	114	F03	9	1,10		
10 - 52/90 SE					132	69	105	157			1,45		
15 - 52/90 DE	28	30	86	1/2"	132	69	105	163	F05	14	2,15		
15 - 63/90 SE					137	80	119	177			2,70		
20 - 52/90 DE	31	32,5	94	3/4"	132	69	105	168,5			2,50		
20 - 63/90 SE					137	80	119	182,5			3,05		
25 - 52/90 DE	34	35	107	1"	132	69	105	174			2,75		
25 - 63/90 DE					137	80	119	188			3,30		
25 - 75/90 SE					161	93	131	200			3,95		
32 - 63/90 DE	38	40	120	1 1/4"	137	80	119	197			F07	14	4,00
32 - 83/90 SE					180	100	139	217					5,00
40 - 75/90 DE	45	53	148	1 1/2"	161	93	131	229					6,60
40 - 110/90 SE					222	120	171	269	9,70				

DE = double effect      SE = simple effect

\* Actuator without accessories.

info@burocco.it — www.burocco.it

Tel.: +39 015 76.72.78 — Fax: +39 015 76.71.36