

Pneumatic ball valves ON-OFF

Series VSP/3V - BW/SW

BUROCCO

INDUSTRIAL VALVES srl

Technical data

Size (DN)	DN 10 - 40
Rating	PN 40 (10-25) - PN 25 (32-40)
Connections	Butt weld (BW) Socket weld (SW)
Actuator	Pneumatic rotating 90° - DOUBLE EFFECT - anodized alloy aluminium
Supply	min 6 / max 10 bar
Temperature	-25 to +120 °C

Description

The ball valves can intercept different type of fluid : steam, water, no-explosive gas, corrosive fluids, colors, chemical products, etc.

They can be employed in several sector as: textile dyeing and finishing plants, chemical plants, water-treating, alimentary, general industrial plants.

Options

- ⇒ Pneumatic actuator SIMPLE EFFECT
- ⇒ **Ball drilling " T " or " L "**
- ⇒ PVC seal interspace ball / body (max 80° C)
- ⇒ Connections for pressure washing interspace
- ⇒ Mechanical limit switch / proximity microswitches box
- ⇒ Pneumatic / electropneumatic positioner
- ⇒ Solenoid
- ⇒ Operated by MANUAL LEVER



Pneumatic ball valves ON-OFF

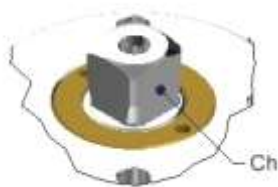
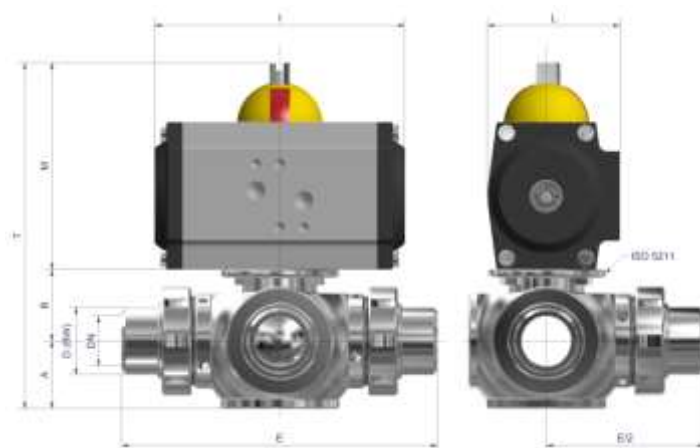
Series VSP/3V - BW/SW

BUROCCO

INDUSTRIAL VALVES srl

BUROCCO INDUSTRIAL VALVES srl VIA NOVEVIS, 33 – 13867 PRAY (BI) - ITALY

Materials	
Valve body	AISI 316/316L
Seats	PTFE (STD) - PTFE/CG - PTFE+GLASS - PEEK (max 180 °C)
O-rings	FPM
Ball	AISI 316/316L
Stem	AISI 316/316L
Connections	AISI 316/316L



Dimensions (mm)												
DN - actuator	A	B	Ø D	E	Ø F	I	L	M	T	ISO 5211	Ch	weight (Kg) *
15 - 52/90 DE	28	30	21,3	126	21,5	132	69	105	163	F05	14	2,35
15 - 63/90 SE						137	80	119	177			2,90
20 - 52/90 DE	31	32,5	26,9	134	27	132	69	105	168,5			2,70
20 - 63/90 SE						137	80	119	182,5			3,25
25 - 63/90 DE	34	35	33,7	160	33,9	137	80	119	188			4,25
25 - 75/90 SE						161	93	131	200			4,90
32 - 63/90 DE	38	40	42,4	174	42,7	137	80	119	197			4,95
32 - 83/90 SE						180	100	139	217			6,00
40 - 75/90 DE	45	53	48,3	196	48,8	161	93	131	229	F07	8,00	
40 - 110/90 SE						222	120	171	269		11,10	

DE = double effect SE = simple effect

* Actuator without accessories.

info@burocco.it — www.burocco.it

Tel.: +39 015 76.72.78 — Fax: +39 015 76.71.36