

Free flow filters

Series FFL/FF - FFL/SW

BUROCCO

INDUSTRIAL VALVES srl

Technical data

Size (DN)	DN 8 - 50
Rating	PN 25
Connections	Female threaded GAS (FF) - ISO 228 Socket weld (SW)
Temperature	-30 to +150 °C

Description

"Y" filter in stainless steel, impurity collector in fluids of the tubes to protect control and interception valves.

They can be employed in several sector as: textile dyeing and finishing plants, chemical plants, water-treating, alimentary, general industrial plants.

Options

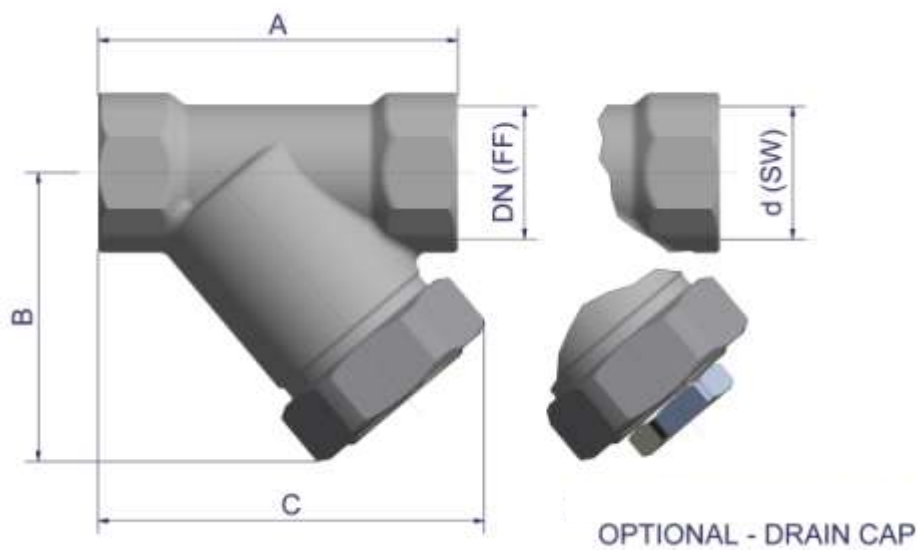
- ⇒ Various degrees of filtration
- ⇒ Drain cap



DN	8 - 1/4"	10 - 3/8"	15 - 1/2"	20 - 3/4"	25 - 1"	32 - 1"1/4"	40 - 1"1/2"	50 - 2"
C _v	2	3	6	9	14	22	34	53
K _{vs}	1,7	2,6	5,1	7,7	12	18,8	29	45,3

Free flow filters
Series FFL/FF - FFL/SW

Materials	
Filter body	AISI 316/316L
Filtering element	AISI 316/316L
Cap	AISI 316/316L
Seal gaskets	CARBOFIBER (STD) - PTFE



Dimensioni (mm)					
DN	A	B	C	d (SW)	weight (Kg)
8 (1/4")	60	60	80	/	0,5
10 (3/8")	60	60	80	/	0,5
15 (1/2")	65	67	88	21,5	0,6
20 (3/4")	75	68	91	27,0	0,6
25 (1")	90	73	97	33,8	0,8
32 (1"1/4)	110	71	101	42,7	1,1
40 (1"1/2)	120	88	110	48,8	1,8
50 (2")	150	102	130	60,8	2,4