

Free flow filters

Series FFL - FL UNI PN 10/16

BUROCCO
INDUSTRIAL VALVES srl

Technical data

Size (DN)	DN 15 - 200
Rating	PN 16 (15-125) - PN 10 (150-200)
Connections	FLANGES DRILLING PN 16 (15-32) FLANGES UNI PN 10/16 (40-200)
Temperature	-30 to +150 °C

Description

“Y” filter in stainless steel, impurity collector in fluids of the tubes to protect control and interception valves.

They can be employed in several sector as: textile dyeing and finishing plants, chemical plants, water-treating, alimentary, general industrial plants.



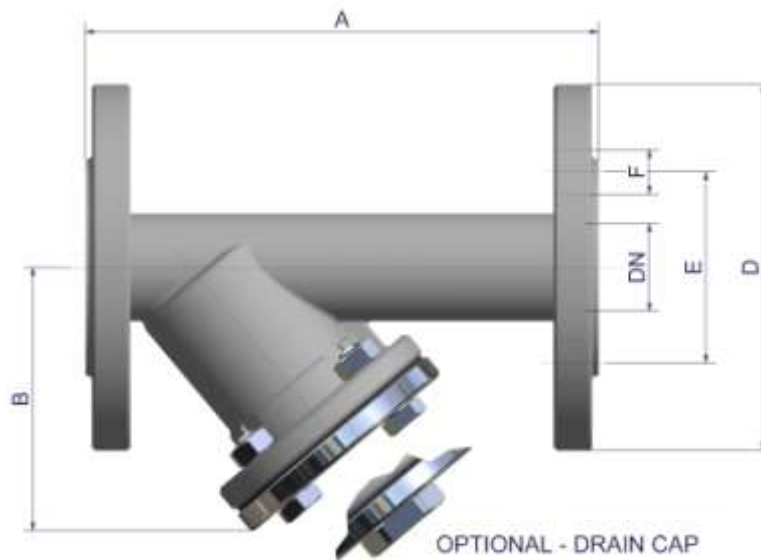
Options

- ⇒ Various degrees of filtration
- ⇒ Drain cap
- ⇒ Temperature max 200 °C with seal gaskets in ARMED GRAPHITE
- ⇒ Special flanges on request (face to face UNI)

DN	15	20	25	32	40	50	65	80	100	125	150	200
C _v	5	9	14	22	34	53	91	138	217	339	490	865
K _{vs}	4,3	7,7	12	18,8	29	45,3	77,8	118	185,5	290	419	739

Free flow filters
Series FFL - FL UNI PN 10/16

Materials	
Filter body	AISI 316/316L
Flanges	AISI 304/304L (STD) AISI 316/316L
Filtering element	AISI 316/316L
Cap	AISI 316/316L
Seal gaskets	CARBOFIBER (STD) - PTFE - ARMED GRAPHITE



Dimensions (mm)							
DN	A	B	D	E	F	n° drills	weight (Kg)
15	130	70	95	65	14	4	2,0
20	150	70	105	75	14	4	2,7
25	160	85	115	85	14	4	2,9
32	180	85	140	100	18	4	4,5
40	200	110	150	110	18	4	5,7
50	230	125	165	125	18	4	6,7
65	290	145	185	145	18	4	10,5
80	310	180	200	160	18	8	14,5
100	350	205	220	180	18	8	20,0
125	400	245	250	210	18	8	30,4
150	480	280	285	240	22	8	28,0
200	600	365	340	295	22	12 *	52,0

* DN 200 n° 8 drills Ø 22 mm on flanges UNI PN 10.