

Free flow filters Series FFL

BUROCCO

INDUSTRIAL VALVES srl

Technical data

Size (DN)	DN 15 - 200
Rating	PN 16 (15-125) - PN 10 (150-200)
Connections	Butt weld (BW)
Temperature	-30 to +150 °C

Description

“Y” filter in stainless steel, impurity collector in fluids of the tubes to protect control and interception valves.

They can be employed in several sector as: textile dyeing and finishing plants, chemical plants, water-treating, alimentary, general industrial plants.

Options

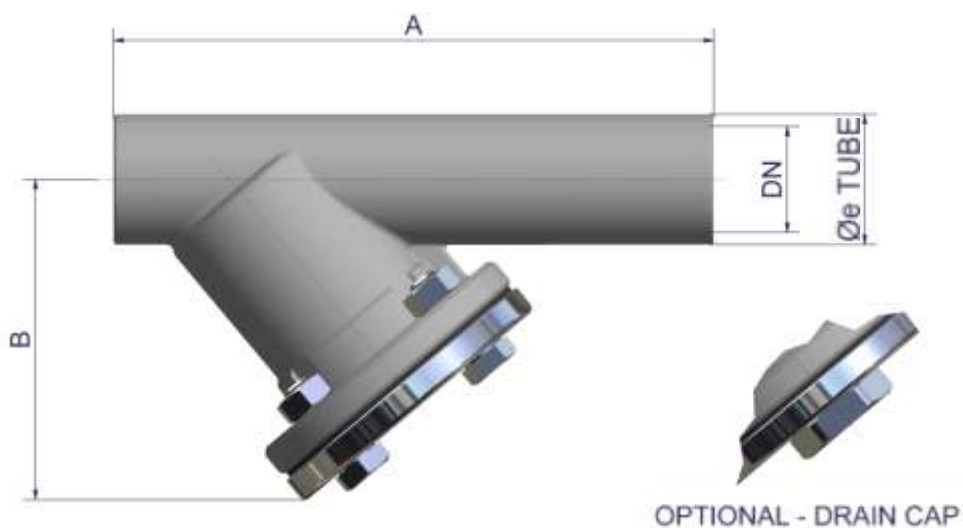
- ⇒ Various degrees of filtration
- ⇒ Drain cap
- ⇒ Temperature max 200 °C with seal gaskets in ARMED GRAPHITE



DN	15	20	25	32	40	50	65	80	100	125	150	200
C _v	5	9	14	22	34	53	91	138	217	339	490	865
K _{vs}	4,3	7,7	12	18,8	29	45,3	77,8	118	185,5	290	419	739

Free flow filters Series FFL

Materials	
Filter body	AISI 316/316L
Filtering element	AISI 316/316L
Cap	AISI 316/316L
Seal gaskets	CARBOFIBER (STD) - PTFE - ARMED GRAPHITE



Dimensions (mm)				
DN	A	B	Øe TUBE	weight (Kg)
15	126	70	21,3	1,1
20	146	70	26,9	1,2
25	156	85	33,7	1,3
32	176	85	42,4	1,5
40	196	110	48,3	2,2
50	226	125	60,3	3,1
65	286	145	76,1	5,0
80	306	180	88,9	7,5
100	345	205	114,3	12,5
125	395	245	139,7	18,0
150	475	280	168,3	14,6
200	595	365	219,1	on request