

ON-OFF free flow valves Series MVPFL - FL UNI PN 10/16

BUROCCO

INDUSTRIAL VALVES srl

Technical data

Size (DN)	DN 8 - 25
Rating	PN 16
Connections	FLANGES DRILLING PN 16
Plug characteristic	Disc
Actuator	Pneumatic with piston AISI 304
Supply	min 4 / max 8 bar
Temperature	-30 to +150 °C - (tip max 180 °C)

Description

Pneumatic micro-valve angle seat with high coefficient of flow, solid construction and compact. Versatility due to the construction of stainless steel for use in harsh environments.

They can be employed in several sector as: textile dyeing and finishing plants, chemical plants, water-treating, alimentary, general industrial plants.

Options

- ⇒ Normally open (NO)
- ⇒ Double effect (DE)
- ⇒ Metallic visual device
- ⇒ Mechanical limit switch / proximity
- ⇒ Solenoid
- ⇒ Electropneumatic converter signal 4-20 mA
o 0-10 VDC (control plug)
- ⇒ Special flanges on request (face to face UNI)
- ⇒ Special executions on request

DN	C _v	K _{vs}
8	2	1,7
10	3	2,5
15	5	4,3
20	9	7,7
25	14	12

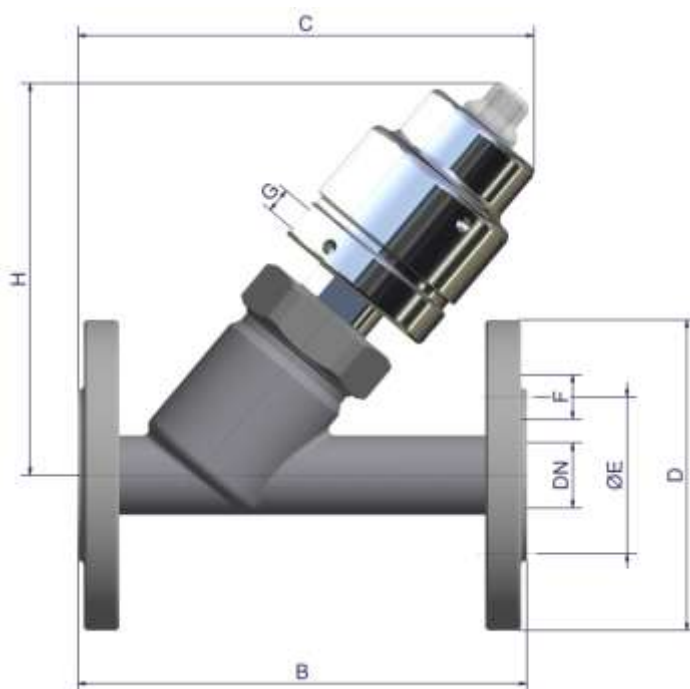


ON-OFF free flow valves
Series MVPFL - FL UNI PN 10/16

BUROCCO
INDUSTRIAL VALVES srl

BUROCCO INDUSTRIAL VALVES srl VIA NOVEVIS, 33 - 13867 PRAY (BI) - ITALY

Materials	
Valve body	AISI 316/316L
Flanges	AISI 304/304L (STD) AISI 316/316L
Insert plug	PTFE (STD) - PTFE/CG
Stem / Plug	AISI 316/316L
Packing	Standard PTFE ring energized with O-ring FPM
Body gasket	PTFE (STD) - PTFE/CG
Seal actuator	FPM



Dimensions (mm)									
DN - servoc.	B	C	D	E	H	F	n° drills	G	weight
8 - S.32	130	115	90	60	90	14	4	1/8" G	1,8
10 - S.32	130	115	90	60	90	14	4	1/8" G	1,8
15 - S.40	130	135	95	65	120	14	4	1/8" G	2,6
15 - S.50	130	140	95	65	125	14	4	1/8" G	2,6
20 - S.40	150	150	105	75	130	14	4	1/8" G	3,3
20 - S.50	150	155	105	75	135	14	4	1/8" G	3,3
25 - S.40	160	150	115	85	130	14	4	1/8" G	3,7
25 - S.50	160	155	115	85	135	14	4	1/8" G	3,7

* Actuator without accessories.

info@burocco.it — www.burocco.it

Tel.: +39 015 76.72.78 — Fax: +39 015 76.71.36