

ON-OFF free flow valves Series MVPFL/BW

BUROCCO

INDUSTRIAL VALVES srl

Technical data

Size (DN)	DN 8 - 25
Rating	PN 16
Connections	Butt weld (BW)
Plug characteristic	Disc
Actuator	Pneumatic with piston AISI 304
Supply	min 4 / max 8 bar
Temperature	-30 to +150 °C - (tip max 180 °C)

Description

Pneumatic micro-valve angle seat with high coefficient of flow, solid construction and compact. Versatility due to the construction of stainless steel for use in harsh environments.

They can be employed in several sector as: textile dyeing and finishing plants, chemical plants, water-treating, alimentary, general industrial plants.

Options

- ⇒ Normally open (NO)
- ⇒ Double effect (DE)
- ⇒ Metallic visual device
- ⇒ Mechanical limit switch / proximity
- ⇒ Solenoid
- ⇒ Electropneumatic converter signal 4-20 mA
o 0-10 VDC (control plug)
- ⇒ Special executions on request

DN	C _v	K _{vs}
8	2	1,7
10	3	2,5
15	5	4,3
20	9	7,7
25	14	12



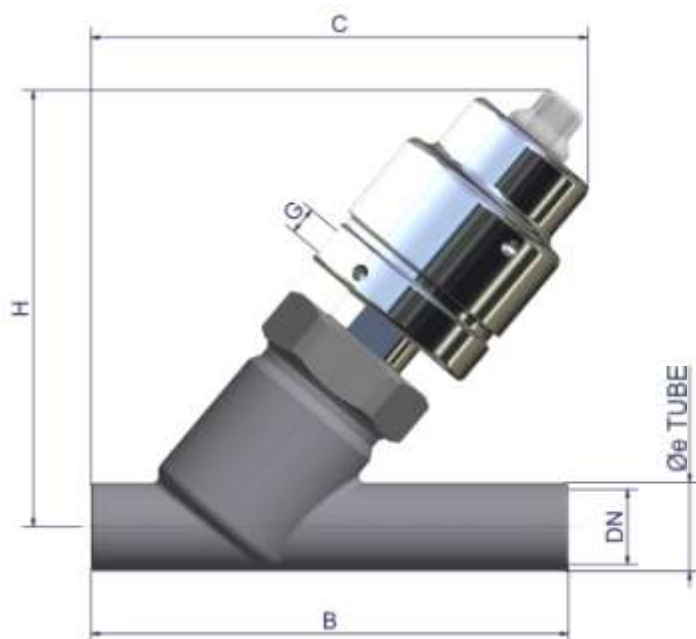
ON-OFF free flow valves Series MVPFL/BW

BUROCCO

INDUSTRIAL VALVES srl

BUROCCO INDUSTRIAL VALVES srl VIA NOVEIS, 33 - 13867 PRAY (BI) - ITALY

Materials	
Valve body	AISI 316/316L
Insert plug	PTFE (STD) - PTFE/CG
Stem / Plug	AISI 316/316L
Packing	Standard PTFE ring energized with O-ring FPM
Body gasket	PTFE (STD) - PTFE/CG
Seal actuator	FPM



info@burocco.it — www.burocco.it

Dimensions (mm)						
DN - servoc.	B	C	H	Øe TUBE	G	weight (Kg) *
8 - S.32	125	112	90	17,2	1/8" G	0,9
10 - S.32	125	112	90	17,2	1/8" G	0,9
15 - S.40	125	132	120	21,3	1/8" G	1,5
15 - S.50	125	137	125	21,3	1/8" G	1,5
20 - S.40	145	147	130	26,9	1/8" G	1,8
20 - S.50	145	152	135	26,9	1/8" G	1,8
25 - S.40	155	147	130	33,7	1/8" G	1,9
25 - S.50	155	152	135	33,7	1/8" G	1,9

* Actuator without accessories.

Tel.: +39 015 76.72.78 — Fax: +39 015 76.71.36