

# ON-OFF free flow valves Series VMFL/BW

# BUROCCO

INDUSTRIAL VALVES srl

## Technical data

Size (DN)	DN 32 - 100
Rating	PN 16
Connections	Butt weld (BW)
Plug characteristic	Parabolic linear
Action	Manual handwheel
Temperature	-30 to +150 °C

## Description

Manual valve angle seat with high coefficient of flow, solid construction and compact. Versatility due to the construction of stainless steel for use in harsh environments.

They can be employed in several sector as: textile dyeing and finishing plants, chemical plants, water-treating, alimentary, general industrial plants.

## Options

- ⇒ Packing box + extension bonnet ( for steam max **180 °C** )

DN	C <sub>v</sub>	K <sub>vs</sub>
32	22	18,8
40	34	29
50	53	45,3
65	91	77,8
80	138	118
100	217	185,5

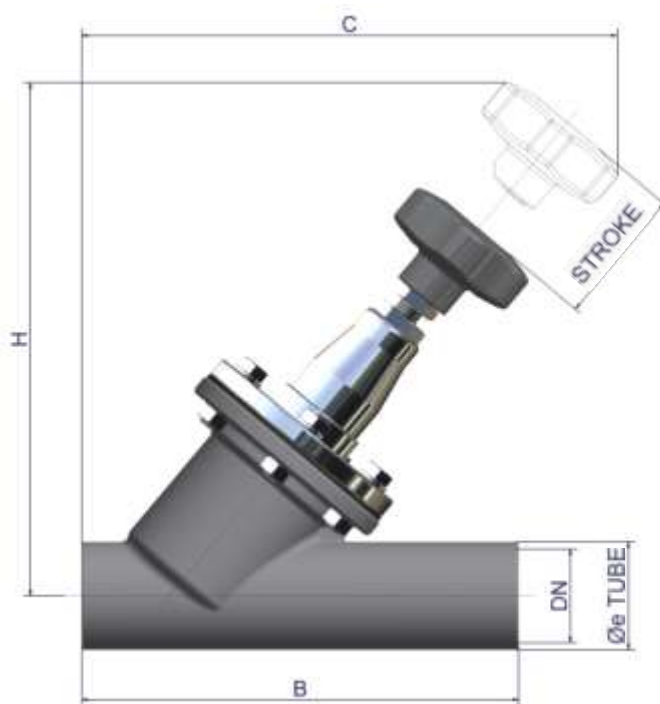


# ON-OFF free flow valves Series VMFL/BW

# BUROCCO

## INDUSTRIAL VALVES srl

Materials	
Valve body	AISI 316/316L
Insert plug	PTFE (STD) - PTFE/CG - SILICON
Stem / Plug	AISI 316/316L
Packing	Standard PTFE ring energized with O-ring FPM
Body gasket	PTFE (STD) - CARBOFIBER
O-ring	FPM



Dimensions (mm)					
DN	B	C	H	Øe TUBE	weight (Kg)
32	176	202	195	42,4	2,3
40	196	222	210	48,3	3,3
50	226	237	220	60,3	5,4
65	286	307	255	76,1	8,0
80	306	322	280	88,9	10,6
100	345	352	295	114,3	15,4

BUROCCO INDUSTRIAL VALVES srl VIA NOVEIS, 33 - 13867 PRAY (BI) - ITALY

info@burocco.it — www.burocco.it

Tel.: +39 015 76.72.78 — Fax: +39 015 76.71.36