

ON/OFF Valves
Series VPOO/3
Valve 3-way diverting

BUROCCO
INDUSTRIAL VALVES srl

Technical data

Size (DN) DN 15 — 100
 Pressure rating PN16, PN40
 Connections Flanges UNI/DIN PN16, PN40
 Type sealing Soft (Class VI), metallic (Class IV - V)
Characteristic Linear
Action Pneumatic with piston (supply max 10 bar)
 Temperature -20 to +205°C

Description

The ON/OFF valves serie VPOO/3 have three way globe body with screwed seats and function DIVERTING. The plug is guided in its upper part and into seats. They are particularly indicated for service on/off in medium/light plants. All Burocco valves are delivered as tested units and ready for a long lasting, maintenance free operation.

Options

- ⇒ Metallic seal
- ⇒ Special 3 way DIVERTING CORRECT (size DN40-100)
- ⇒ Flanges drilling ANSI 150, (face to face) and rating UNI/DIN
- ⇒ Full stainless steel actuator for corrosive environment
- ⇒ Handwheel for emergency operation
- ⇒ Valve positioners
- ⇒ Limit switches
- ⇒ Position feedback
- ⇒ Airset



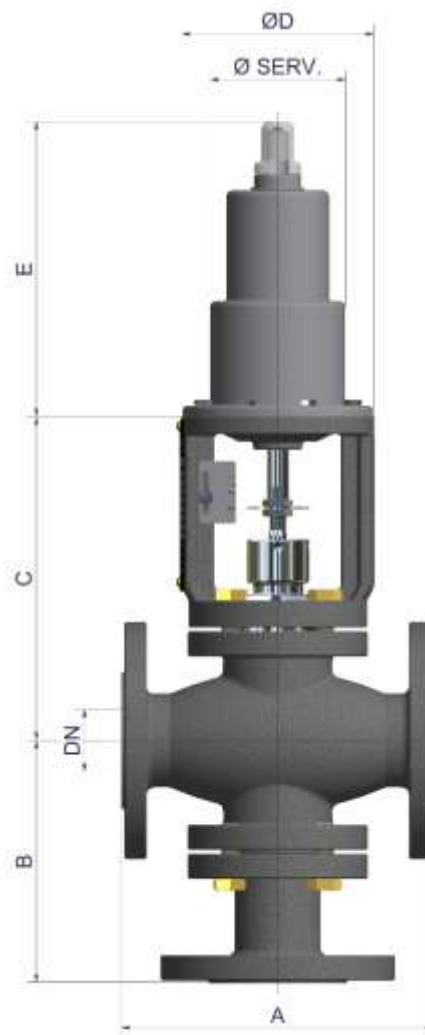
Flow rate coefficient (CV)

DN	CV	KVs
15	4	3,5
20	7	6
25	12	10
32	18	15,5
40	28	24
50	48	41
65	72	61,5
80	105	90
100	160	136

ON/OFF Valves
Series VPOO/3
Valve 3-way diverting

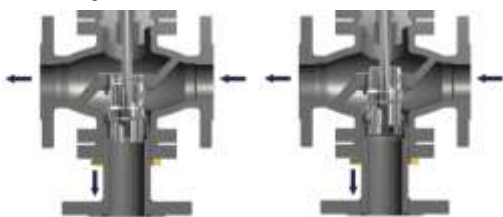
BUROCCO
INDUSTRIAL VALVES srl

Materials	
Valve body	Nodular cast iron GGG 40 (PN16) Carbon steel ASTM A216WCB Stainless steel ASTM CF8M
Trim (plug - seat)	316L / 17-4PH / 316L+Stellite
Stem	316L
Packing	PTFE, PTFE+'OR' FPM, special
Body gasket	FASIT 400, SIL C4500, PTFE, special
Acuator	Stainless steel
Yoke	GGG 40 (epoxy varnish), stainless steel



Function overview

Diverting serie VPOO/3



Normally open straight way Normally open square way

Type actuator with piston	
Ø SERV	D (mm)
S82	122
S118	165
S136	185
S153	215
S235	On request

Dimensions (mm)					
DN	A	B	C	D	E
15	130	156	210	122	190
20	150	156	210	122	190
25	160	156	210 / 228	122 / 165	190 / 206
32	180	156	210 / 228	122 / 165	190 / 206
40	200	156	210 / 228	122 / 165	190 / 206
50	230	166	210 / 228	122 / 165	190 / 206
65	290	220	295	165 / 185	216 / 242
80	310	220	295	165 / 185	216 / 242
100	350	240	318 / 335	185 / 215	242 / 292

Indicative weight*									
DN	15	20	25	32	40	50	65	80	100
kg	14	16	17 / 20,5	22 / 25,5	23 / 26,5	34 / 37,5	54 / 58	62 / 66	78 / 82,5

* without positioner, airset or other accessories